

Type 043060

Armaturen für Schiffbau und Industrie
Valves for shipbuilding and industry



Absperrbare Rückschlagventile (SDNR), PN16
aus Rotguss / Messing
mit eingeschraubtem Oberteil
mit NBR-Weichdichtung, max. 80° C
Innengewinde nach ISO 228/1

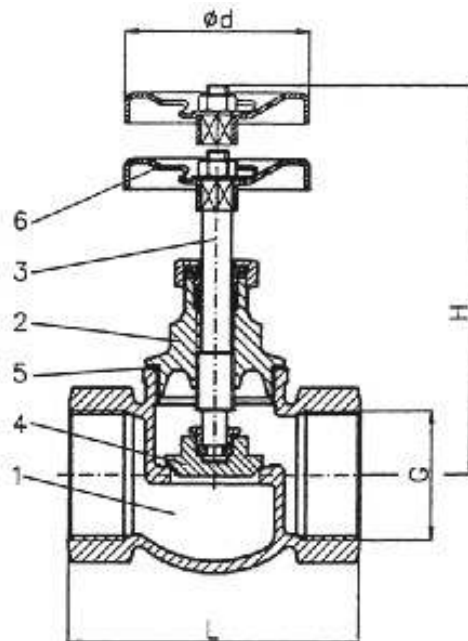
screwdown check-valves (SDNR), PN 16
bronze / brass
with screwed-in bonnet
with soft-sealing NBR, max. 80° C
female screwed thread acc. to ISO 228/1

Materialspezifikation:

| | | |
|-----------|----------------------------|--------|
| Gehäuse: | CuSn5Zn5Pb5-C | CC491K |
| Oberteil: | CuZn39Pb2 | CW612N |
| Kegel: | CuZn39Pb2, NBR-Dichtung | CW612N |
| Handrad: | Stahlblech | - |

material specification:

| | | |
|-----------|---------------------------|--------|
| body: | CuSn5Zn5Pb5-C | CC491K |
| bonnet: | CuZn39Pb2 | CW612N |
| disc: | CuZn39Pb2, NBR-sealing | CW612N |
| handwheel | sheet steel | - |



Type 043060

| NW/DN | L | H | d | KG |
|----------|-----|-----|----|------|
| G 1/4" | 42 | 73 | 50 | 0,25 |
| G 3/8" | 47 | 77 | 50 | 0,25 |
| G 1/2" | 53 | 86 | 55 | 0,30 |
| G 3/4" | 61 | 100 | 60 | 0,40 |
| G 1" | 70 | 110 | 65 | 0,65 |
| G 1 1/4" | 85 | 125 | 65 | 1,00 |
| G 1 1/2" | 90 | 146 | 80 | 1,20 |
| G 2" | 110 | 161 | 80 | 2,00 |