

Type 069950
Type 069980
Type 069951
Type 069981

Armaturen für Schiffbau und Industrie
 Valves for shipbuilding and industry



Wassersackrohre, PN 200
 nach DIN 16282
 Eintritt: Zapfen G 1/2"
 Austritt: Spannmuffe G 1/2"

water tubes, PN 200
 acc. to DIN 16282
 inlet: male thread G 1/2"
 outlet: clamping socket G 1/2"

Materialspezifikation:

Type 069950:

Form "A", U-Form

Material: X6CrNiMoTi17 12 2 1.4571

Type 069980:

Form "A", U-Form

Material: P235GH 1.0345

Type 069951:

Form "C", Kreisform

Material: X6CrNiMoTi17 12 2 1.4571

Type 069981:

Form "C", Kreisform

Material: P235GH 1.0345

material specification:

type 069950:

form "A", U-type

material: X6CrNiMoTi17 12 2 1.4571

type 069980:

form "A", U-type

material: P235GH 1.0345

type 069951:

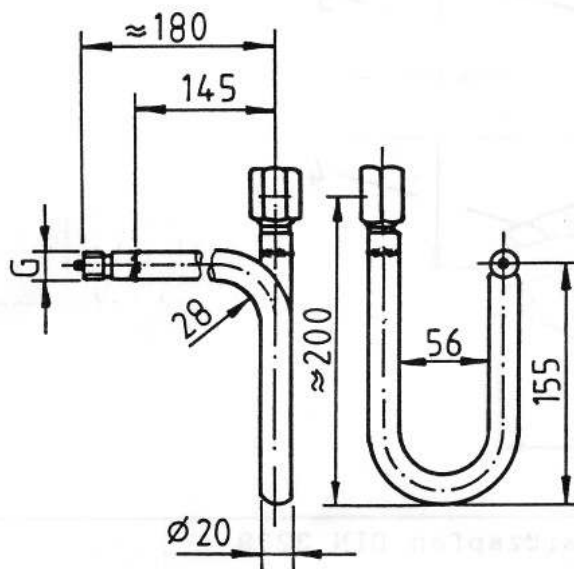
form "C", circle type

material: X6CrNiMoTi17 12 2 1.4571

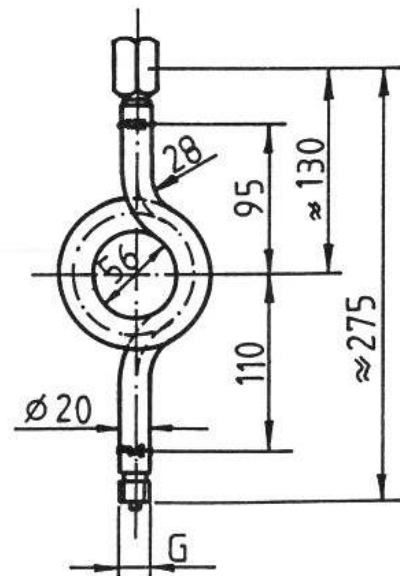
type 069981:

form "C", circle type

material: P235GH 1.0345



Type 069950/069980



Type 069951/069981